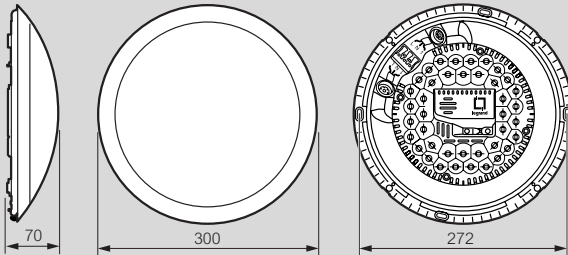


# Weatherproof bulkhead lights

## Weatherproof bulkhead lights IP 44 / IP 54

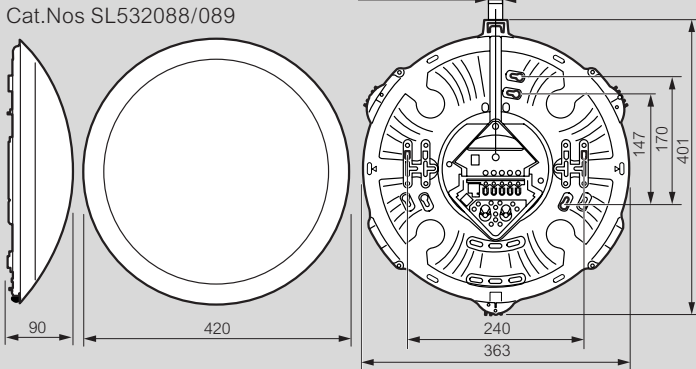
### IP 55 - IK 10 LED round decorative bulkheadlights - equipped

Chartres Essentiel Cat.Nos SL532106/146



Chartres Infini  
Cat.Nos SL532088/089

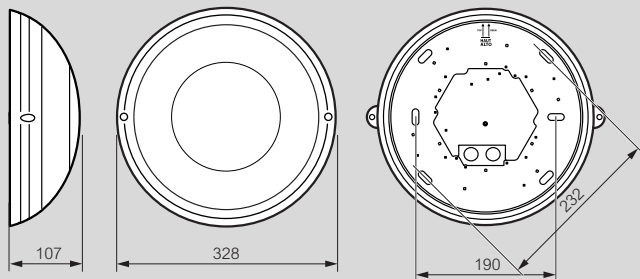
Trunking 20x12



### IP 44 LED round decorative bulkhead lights-equipped

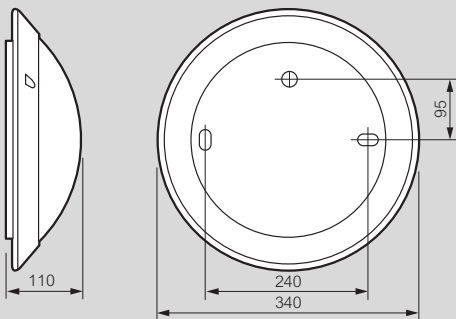
Astreo IK 07 Cat.Nos SL532180/182/185/187

Astreo IK 09 Cat.Nos SL532190/195

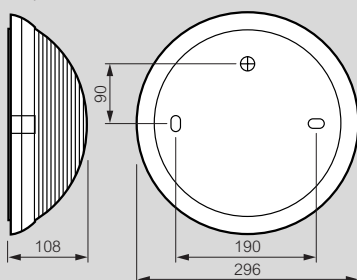


### IP 44/54 - IK 04 bulkhead lights - to be equipped

Chartres Origine IP 54 Cat.No 524270

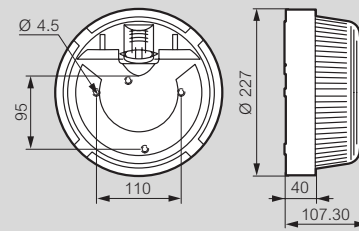


Super 400 IP 44 Cat.Nos 500270/570



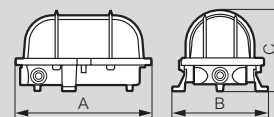
### Round - IP 44 - IK 07

Cat.Nos 0 604 50/51/58/59

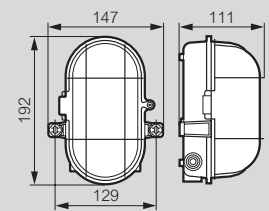


### Oval - IP 44 - IK 06

Cat.Nos 0 604 05/14/15/92



Cat.No 0 604 19



Cat.Nos	A	B	C
0 604 92	178	126	108
0 604 05	178	126	108
0 604 15	169	126	106
0 604 14	175	126	105

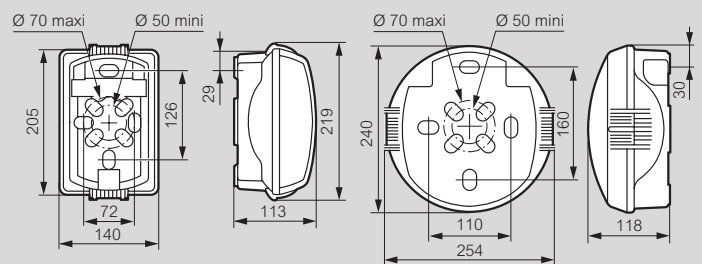
## Weatherproof bulkhead lights IP 54 / IP 55

### Plexo rectangular - IP 54 - IK 08

### Koro round - IP 54 - IK 08

Cat.Nos 0 624 00/02

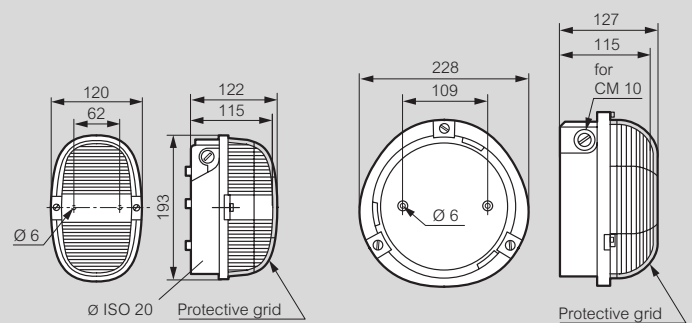
Cat.No 0 624 25



### For tough environment IP 55 / IK 04

Cat.Nos 0 604 77, 0 605 08

Cat.Nos 0 604 83, 0 605 09



### Vandal - resistant IP 55 - IK 09

Cat.No 0 624 15

